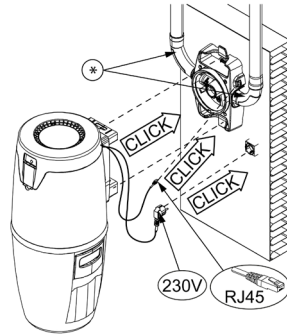
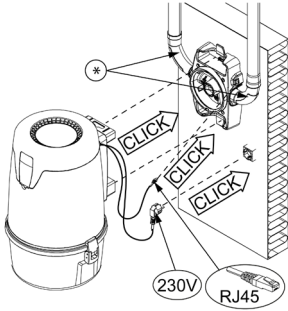




Instructions for use and maintenance of the Zi series central units

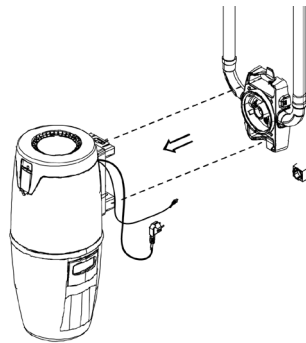
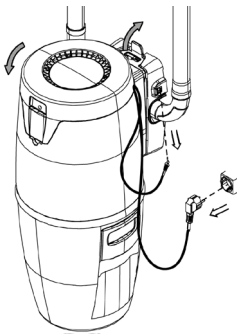
Z SERIES Z 55i, Z 45i

Quick installation guide



* Elbows 90° are included in the delivery.

Quick uninstallation guide



Allway function symbols



Handedness



Soft Start



Bluetooth



Wall inlet



Application



Maintenance indicator



Dust bag option



Operation data



Home automation



Speed control



Radio control



Size of the dust canister

Keep the instructions for later use!

TABLE OF CONTENTS

1	GENERAL INSTRUCTIONS	4
2	SAFETY INSTRUCTIONS.....	5
	2.1 Warning symbols.....	5
	2.2 Important safety-related notes.....	6
3	INSTALLATION AND USE OF THE DEVICE	7
	3.1 Installation space of the central unit.....	7
	3.2 Starting the device.....	8
	3.3 Zi series RC cleaning equipment	9
	3.4 Pairing the Zi series i-module and the central unit	12
	3.5 Bluetooth pairing of the Zi series and Allaway application	13
	3.6 Zi-series Modbus interface	15
	3.7 Wall inlet for the Z- and Zi series machine	18
	3.8 Operation indicator	18
4	MAINTENANCE	19
	4.1 Emptying the dust canister	19
	4.2 Filter maintenance.....	20
	4.3 Zi series filter and dust canister alarm.....	22
	4.4 Cleaning equipment maintenance.....	23
5	POWER CORD AND SAFETY DEVICES	24
	5.1 Power cord	24
	5.2 Overcurrent protection.....	24
	5.3 Overheating protection	24
6	PRACTICAL TIPS	25
	6.1 If the central unit does not start, check.....	25
	6.2 If the suction is weaker, check.....	25
	6.3 If the suction hose becomes damaged.....	25
	6.4 If the suction piping or exhaust pipe become blocked.....	26
	6.5 If you have Bluetooth pairing problem or if the data in Allaway application cannot no be updated	27
	6.6 Fault finding: led indication of the push button on central unit	27
	6.7 Machine information for maintenance	28
7	PIPING SYSTEM'S AIRTIGHTNESS CHECK.....	28
8	ACCESSORIES	29
	8.1 Preseparator.....	29
	8.2 Dust bag installation kit	29
	8.3 Changing a dust bag and maintaining the filter, for a device with a dust bag.....	32
	8.4 Central unit's filter cover	33
9	EU DECLARATION OF CONFORMITY	34
10	MAINTENANCE SUPPORT	34
11	WE VALUE YOUR OPINION.....	34
	MAINTENANCE LOG	35

Thank your for the trust you have shown in our products!

We have written these instructions for use and maintenance so that you can best benefit from your central cleaning system. The instructions are intended for central vacuum cleaner models with the following nameplate markings: TH-1350-IA-..., TH-1560-IA-..., TH-1850-IA-...,

Please read the instructions carefully before using the system and follow all instructions in this manual. The detailed installation instructions for the wall inlets and parts of the piping can be found in the installation manual for the Allaway central vacuum cleaning system. You can ensure the operation, efficiency and long service life of your central vacuum cleaning system by following all instructions and by only using original Allaway parts and supplies. Keep the stickers from the product packaging to facilitate further purchases and expansion of the system.

Keep the device out of the reach of children under the age of 8. The device is not intended as a toy. The device is not intended to be used by people with weakened physical, sensory or mental abilities. Guide and control older children and people with insufficient experience and skills in the use of the device.

1 GENERAL INSTRUCTIONS

- This central vacuum cleaner is intended for home use only, as a one-user system for vacuuming regular household dust and rubbish.
- Before commissioning the device, check that the central unit's dust container is empty and that the filter is in place.
- If the central unit is used for other purposes than vacuuming regular household dust, a proper Allaway preseparator must always be used.
- The wall inlet's drain has patented catchers that prevent large particles from entering the piping. Behind the wall inlet, there is a steep bend in the pipe, which prevents long items from entering the piping.
- When using the system, only one wall inlet is allowed to be open at a time. Other wall inlets must be kept closed. If another wall inlet is open, underpressure will decrease and the blockage risk of the piping will increase.

2 SAFETY INSTRUCTIONS

Follow these operational and maintenance instructions carefully. Keep the device out of the reach of children under the age of 8. The device is not intended as a toy. The device is not intended to be used by people with weakened physical, sensory or mental abilities. Guide and control older children and people with insufficient experience and skills in the use of the device.

2.1 Warning symbols

This guide uses the following symbols:



Danger:

- Danger to life or risk of injury.



Note:

- May damage the product.



Observe:

- Good to know



Recycling:

- Recycle the materials marked with the recycling symbol. Recycle the package by placing it in the suitable recycling container.



Recycling electric and electronic waste:

- The product cannot be disposed of as household waste. The product must be taken to a collection point for recycling electric and electronic devices. Your local waste collection point or authority can give you more information on recycling this product.

2.2 Important safety-related notes



Danger:

- **Risk of electric shock.**
- Never vacuum any liquids.
- Do not clean by dousing in water.
- Unplug the device's power cord before emptying the dust canister or carrying out other maintenance work.
- Check regularly that the power cord and socket are undamaged.
- Do not use the device, if the power cord is damaged. A damaged power cord must be replaced with a similar power cord by a professional.



Danger:

- **Risk of fire or explosion.**
- Do not vacuum smouldering objects, such as cigarettes, matches, ashes or flammable liquids or gases.
- Do not vacuum in premises that hold flammable liquids or gases.



Danger:

- **Risk of injury**
- Do not use the device as a toy.
- Switch off the device before removing any objects that have got stuck.
- Always unplug the power cord from the socket before cleaning and maintaining the device.



Note:

- Only use the device for dry vacuuming in indoor premises.
- Do not install the device outdoors.
- Do not vacuum if the filter is not in place.
- Do not vacuum sharp objects that may damage the device.
- Do not vacuum any objects that may block the hoses or pipes.
- Do not vacuum fine dust, such as concrete, plaster or flour.
- Do not use the vacuum, if the suction hose is blocked. Check the condition of the suction hose regularly.
- Do not lift or pull the device by the power cord. Unplug the device's power cord by holding on to the plug, never the cord itself.

- Ensure that water or condensed moisture do not access the system during installation.
- Maintenance and repair work can only be commissioned from authorised service dealers. Only use original spare parts and equipment recommended by the manufacturer.
- Always transport the device vertically, with right side up.
- Do not drop the device.
- Do not expose the device to impacts.



Observe:

- Allaway denies all liability of damages caused by inappropriate use of the device or modifications done to the device.

3 INSTALLATION AND USE OF THE DEVICE

3.1 Installation space of the central unit



Danger:

- **Risk of fire**
Storing flammable or corrosive materials or handling them in the same premises with the central unit is prohibited.



Observe:

- The exhaust pipe must be equipped with a silencer.
- More detailed installation instructions are available as separate installation instructions of the Allaway central vacuum system, which are delivered by default with piping packages PPK-44 and PPC-44 as well as separate order.
- The instructions are also available on our website: www.allaway.fi
- Authority regulations must be followed when installing the system.
- The central unit's installation space must be spacious and dust-free enough for the motor's cooling air.
- The installation space's temperature must not be below +5 °C or exceed +35 °C even when the device is in use. The heat created by the central unit's motor is released into the installation space. Therefore, air circulation around the device must be ensured and it must also be ensured that the device has not been covered with cloth, for example, and that the installation space has sufficient ventilation.

- The central units of the Zi series can be placed, in addition to secondary premises (such as storages, building technology rooms), in residential premises, for example utility rooms, craft rooms or closets.
- Connect the central unit to a 230 V socket, which has been protected with at least a 10 A slow plug fuse or C 10 A automatic fuse.
- Conduct the exhaust pipe away from the central unit. Attach a silencer (available as an accessory) to the exhaust pipe. The silencer works best when it has been installed as close to the end of the exhaust pipe as possible. Do not install the silencer on the suction side of the system.

3.2 Starting the device



Danger:

- **Risk of injury**

- Warn children about using the device.
- Air speed and underpressure of the suction hose and the nozzles are high.

You can start using the device when the central unit and piping have been installed and their functionality ensured. The device will be turned on when;

- open the wall inlet
- open the sweep slot
- start the device from the cleaning equipment
- connect the hose sleeve to the wall inlet

3.3 Zi series RC cleaning equipment



Danger:

- **Risk of injury**
- Warn children about using the device.
- Air speed and underpressure of the suction hose and the nozzles are high.

Observe:

- The device will always be started at speed level 5.
- The device will start if one of the controls, such as the wall inlet, radio handle or sweep slot, starts the device.
- If the device starts unintentionally when the wall inlets are closed, the device will switch off automatically after about 30 seconds.
- If there is an electric outage during vacuuming, restart the device after electricity is back on.
- The maximum range of the RC cleaning equipment's radio signal in a typical one-floor building is 50 metres. (the actual range depends on the materials used in the wall structures of the building, etc.) If the central unit is placed in a storage, for example, and far away from the area to be cleaned or behind a concrete floor or wall, please use the signal repeater to improve the range, product number 80814.
- If you are started the vacuum cleaner and after that you move out from the RC-range, the device continues running. Move back closer to the central unit to switch off the device.



Observe:

- The battery duration of RC cleaning equipment is about 3 years. Conditions of use affect the battery's service life.
- The device indicates low battery life by flashing the "!" symbol on the handle and turning off the device.

The Zi series central unit can be simultaneously paired with 10 RC radio controlled cleaning equipment. Only one RC cleaning equipment can be used at a time. When 10 RC cleaning equipment have been paired with the central unit and a new RC cleaning equipment is paired with it, the oldest paired RC cleaning equipment will be erased from the device's memory.

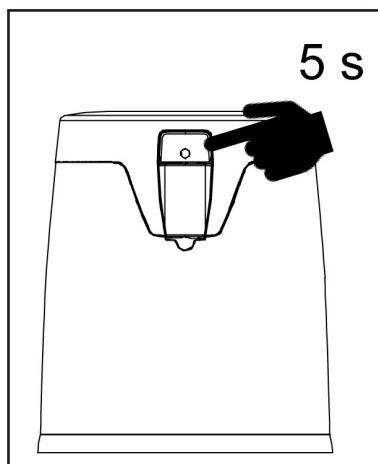
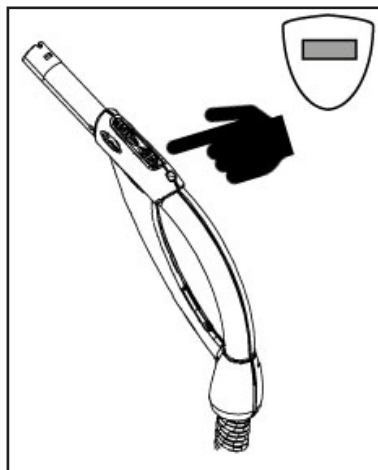
3.3.1 Pairing a Zi RC cleaning equipment



Observe:

- The device will always be started at speed level 5.

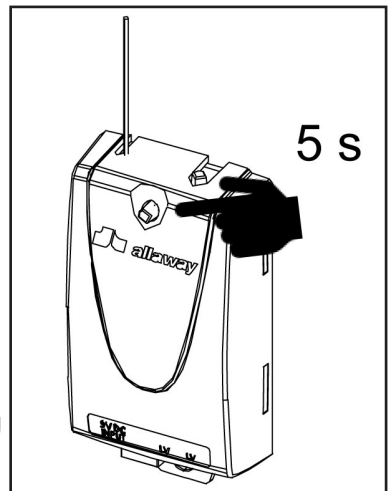
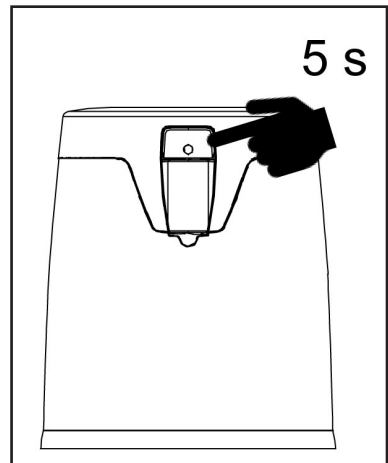
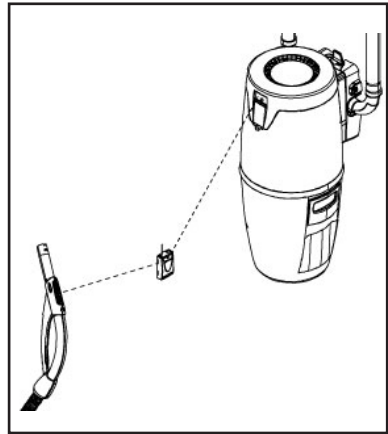
1. Make sure that the device is not switched on.
2. Activate the pairing of the cleaning equipment.
 - New RC cleaning equipment: Press the red on/off on the handle of the cleaning equipment. The LED lights of the cleaning equipment will start flashing.
 - Re-pairing of old cleaning equipment: At first press the red on/off “on” and “off” then press the “-” button on the handle of the cleaning equipment 5...10 seconds until the LED lights of the cleaning equipment start flashing.
3. Press the button on the central unit for 5 to 6 seconds until the white background LED of the central unit’s window flashes for the second time. The white background LED will flash three times to indicate a successful pairing.
4. Test the device’s functionality by starting the device from the handle of the cleaning equipment.



3.3.2 Reinforcing the signal of Zi RC cleaning equipment

If the central unit is placed in a storage, for example, and far away from the area to be cleaned, the radio signal between the central unit and the RC cleaning equipment may be weak. The range of the signal can be increased by placing a signal repeater between the central unit and the cleaned area, product number 80814.

1. Make sure that the device is not switched on.
2. Connect the repeater to electricity with the power adaptor delivered with it.
3. Press the button on the repeater for 5 seconds until the red LED light starts flashing.
4. Press the button on the central unit for 5 to 6 seconds until the white background LED of the window flashes for the second time. The white background LED will flash three times to indicate a successful pairing.
5. When the functions required for pairing have been completed, the repeater will switch on the green LED and the LED of the central unit's button will switch off.
6. If you want to abort the pairing, press the button on the repeater for over 5 seconds.
7. Unplug the repeater's power adaptor from the socket.
8. Place the repeater in a suitable place between the area to be cleaned and the central unit.
9. Switch on the electricity for the repeater by plugging in the power adaptor.
10. Test the device's operation.



Observe:

- When using the signal repeater: Pair the repeater first before pairing the cleaning equipment.

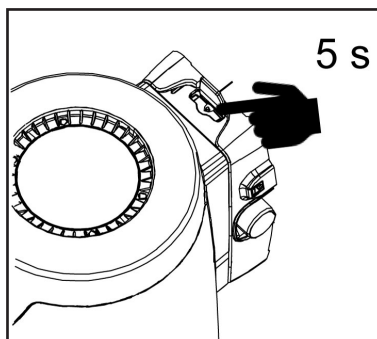
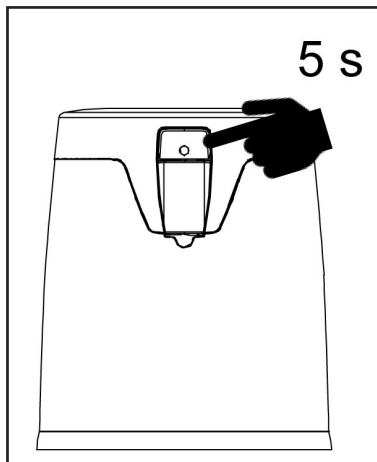
3.4 Pairing the Zi series i-module and the central unit



Observe:

- Pairing the Zi series i-module and the central unit has been completed by default in the factory delivery.

1. Make sure that the device is not switched on.
2. Press the button on the i-module for 5 seconds until the green LED starts flashing. Press the button on the i-module for a short period of time until the red LED starts flashing.
3. Press the button on the central unit for 5 to 6 seconds until the white background LED of the window flashes for the second time. The white background LED will flash three times to indicate a successful pairing.
4. When the functions required for the pairing have been completed, the i-module will switch on the green LED and the LED of the central unit's button will switch off.
5. If you want to abort the pairing, press the button on the i-module for over 5 seconds.
6. Test the device's operation.



Fault finding and i-module led indication:

- The red led is on continuously: missing radio pairing or communication fault between i-module and central unit.
- The green led is on continuously: The pairing completed and no communication faults.
- Red led flashes at 1 second intervals: Radio pairing mode active.
- Green led flashes at 1 second intervals: Bluetooth pairing mode active.
- Green led flashes shortly every 2 seconds: Active radio and Bluetooth communication.

3.5 Bluetooth pairing of the Zi series and Allaway application

The information and settings of the Zi series' central unit can be viewed and edited easily with the Allaway application. The application enables the user to review, e.g.:

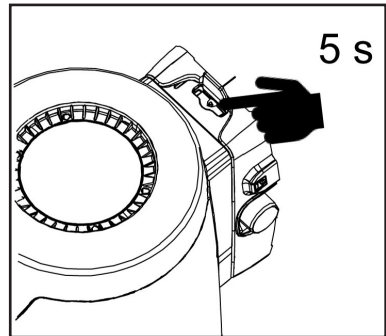
- manufacturer, product name, serial number
- technical specifications of the device
- fullness of the dust canister or dust bag and the need to empty it out
- dirtiness of the filter and need to replace it
- vacuuming time and electricity consumption

The Zi device uses BLE (bluetooth low energy) connection. Please check that your mobile device supports BLE connection.

For more detailed functionalities of the Allaway application, please visit www.allaway.fi.

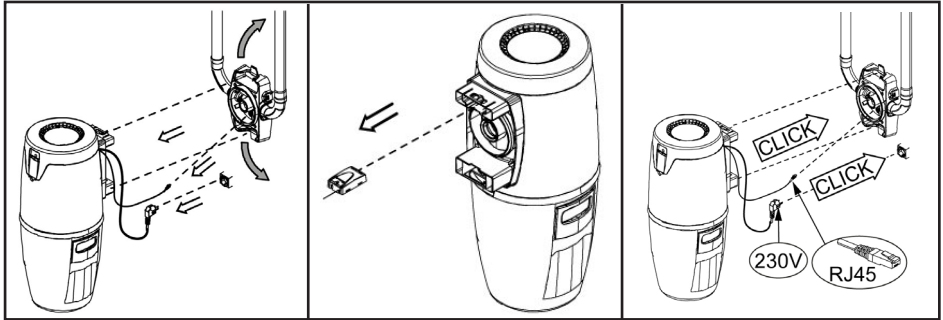
Commissioning the Allaway application:

1. Make sure that the i-module and the central unit have been paired. See *"Pairing the Zi series i-module and the central unit"*.
2. Download and install the free Allaway application onto your smart phone from AppStore or Google Play.
3. Open the Allaway application and activate the pairing function in App.
4. Press the button on the i-module for 5 to 6 seconds until the green LED start to flash. If red LED is flashing, press shortly the button and the green led starts to flash. PIN code 565656.
5. When the functions required by pairing have been completed, the i-module will switch on the green LED.
6. If you want to abort the pairing, press the button on the i-module for over 5 seconds.
7. Scan the QR code in the central unit's nameplate or enter the serial number and type code of the plate manually into the Allaway application. The serial number will also be your PIN code.
8. Test the device's functionality.

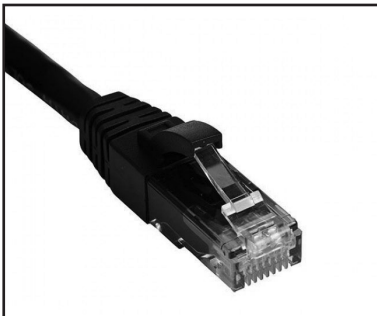


3.5.1 Range of the Bluetooth connection

The range of the Bluetooth connection is usually limited to 10 to 20 meters in typical room premises. If the central unit is placed in a storage, for example, and far away from the area to be cleaned or behind a concrete floor or wall, the Bluetooth signal between the central unit and the mobile device may be weak. The signal's range can be improved by placing the i-module closer to the mobile device's range of use.



1. Unplug the power cord from the socket.
2. Remove the RJ45 connector from the wall stand.
3. Remove the central unit from the wall stand.
4. Pull off the i-module from the back of the central unit.
5. Unplug the i-module's power supply cable.
6. Install the central unit to the wall stand.
7. Connect the RJ45 connector to the wall stand.
8. Plug in the power cord to the socket.
9. Place the i-module close to the mobile application's range of use.
10. Switch on electricity for the i-module, 5Vdc minimum 0.2A (200mA) with a power adapter, e.g. smart phone charger (compatible model below, not included in the delivery)
11. Test the mobile connection's functionality.

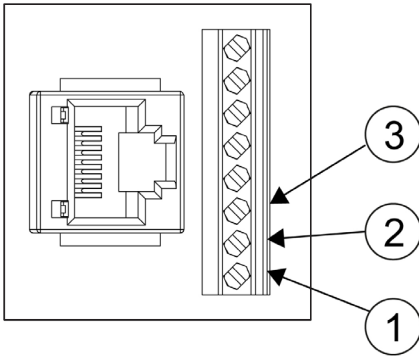


RJ45



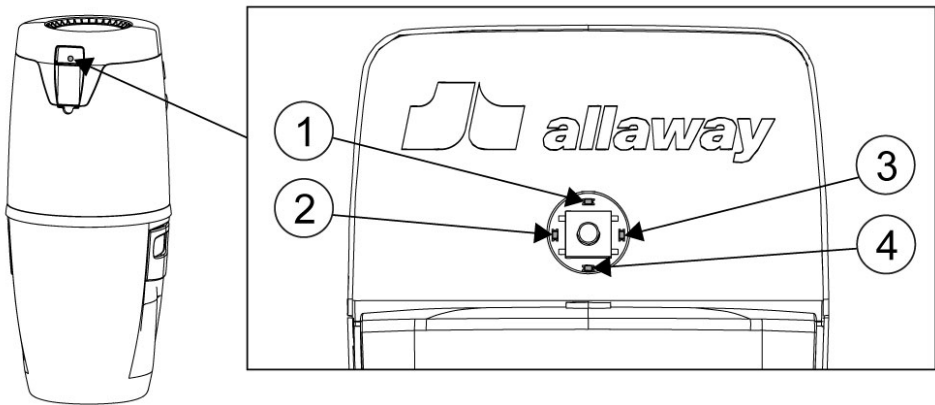
Smart phone charger

3.6 Zi-series Modbus interface

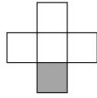
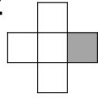
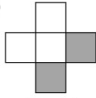
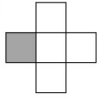
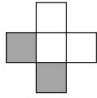
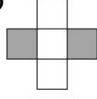
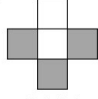
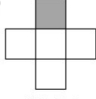
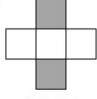
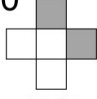
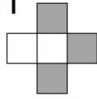
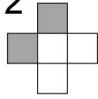
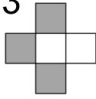
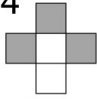
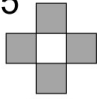
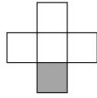
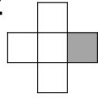
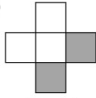
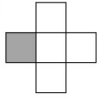
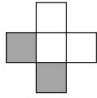
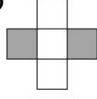
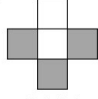
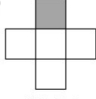
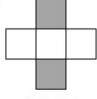
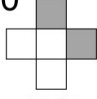
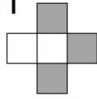
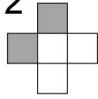
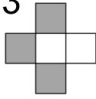
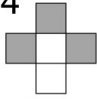
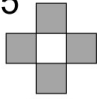
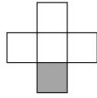
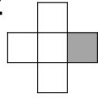
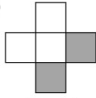
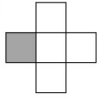
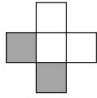
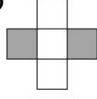
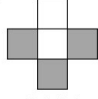
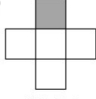
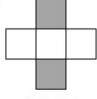
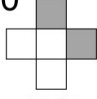
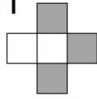
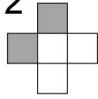
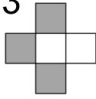
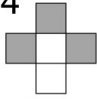
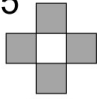


1	GND	GND
2	RSA	RS485 A
3	RSB	RS485 B

The following picture shows how the slave address are indicated by the led on the button.



1	Top LED
2	Left LED
3	Right LED
4	Bottom LED

Modbus																
Protocol	RS-485 Modbus RTU (Factory setting: slave address 1, 8n2, 9600)															
Press the button on the central unit for approx.. 10 seconds until the white background LED of the window flashes for the third time -> the modbus settings is activated.																
Address	<p>The slave address are indicated by the led on the button on the front panel. The binary codes are shown in table as well.</p> <table border="1" style="width: 100%; text-align: center;"> <tr> <td>1  0001</td> <td>2  0010</td> <td>3  0011</td> <td>4  0100</td> <td>5  0101</td> </tr> <tr> <td>6  0110</td> <td>7  0111</td> <td>8  1000</td> <td>9  1001</td> <td>10  1010</td> </tr> <tr> <td>11  1011</td> <td>12  1100</td> <td>13  1101</td> <td>14  1110</td> <td>15  1111</td> </tr> </table> <p>Press the button shortly to set the address. Press to button for longer time to continue the parity settings (led flashes).</p>	1  0001	2  0010	3  0011	4  0100	5  0101	6  0110	7  0111	8  1000	9  1001	10  1010	11  1011	12  1100	13  1101	14  1110	15  1111
1  0001	2  0010	3  0011	4  0100	5  0101												
6  0110	7  0111	8  1000	9  1001	10  1010												
11  1011	12  1100	13  1101	14  1110	15  1111												
Parity	<p>none: the left and right led odd: upper and lower led even: even all the four leds</p> <p>Press the button shortly to set the parity and press the button longer to continue the baud rate setting.</p>															
Baud rate	<p>9600 upper led 19200 right led 38400 lower led</p> <p>Press the button shortly to set the baud rate and press the button longer to continue back to the normal mode.</p>															
Datatypes																
0x01	Read digital outputs															
0x02	Read digital inputs															
0x04	Read analog inputs															

Modbus registers

Discret inputs

Register	Description	Datatype	Value / range	Function
1001	CVC running	Bit	0= off, 1=on	
1002	Filter alarm	Bit	0= off, 1=alarm	Check the filter and empty the dust bin
1003	Dust bin full	Bit	0= off, 1=alarm	Empty the dust bin and check the filter
1004	Motor service alarm	Bit	0= off, 1=alarm	Motor service alarm. Contact the service

Coils

Register	Description	Datatype	Value / range	Function
1	Force shut down	Bit	0= off	Write 0 > Force shut down the CVC. The switching "on" is not possible by this coil

Input registers:

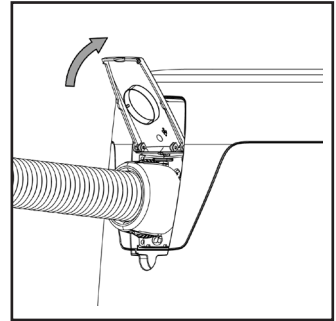
Register	Description	Datatype	Value / range	Function
3001	Running time counter	Unsigned 16	0...1000 hours	
3002	Filter level	Unsigned 16	0...100%	
3003	Dust bin level	Unsigned 16	0...100%	

3.7 Wall inlet for the Z- and Zi series machine

The wall inlets of the central units of the Z- and Zi series are equipped with a starter clutch.

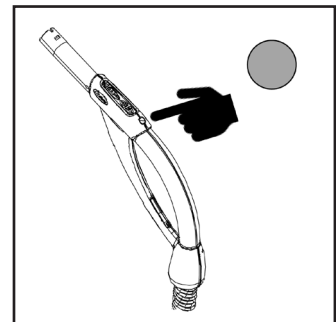
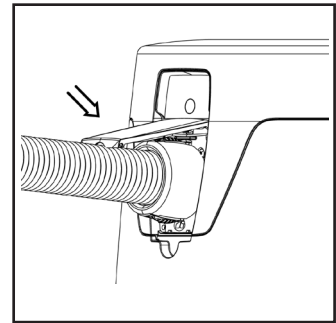
1. Wall inlet start: open the cover completely.

Please note! You can also use the cover switch to test the operation of the machine.



2. Start using the on/off handle.

When using on/off cleaning equipment, the cover of the wall inlet is not opened completely.



3.8 Operation indicator

The central unit has an integrated operation indicator (potential free contact 24Vac/dc 1A, contacts AHU1 / AHU2). The contact is closed when the central unit is used.

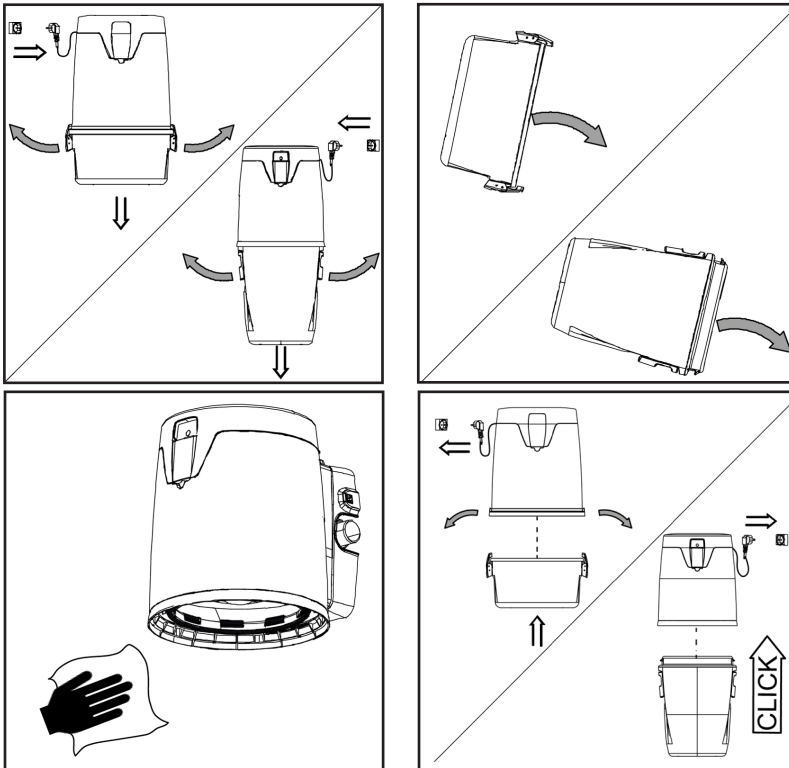
You can use the contact output e.g. to balance the pressure by controlling the inlet and outlet air volumes in the air handling unit.

1. Check the compatibility of the air handling unit (central vacuum function).
2. Make the wiring according to instructions of the air handling unit. In central vacuum cleaner unit: terminals AHU1 and AHU2.
3. Set the compensated air volume parameter in air handling unit according to the instructions of the air handling unit. Compensated air volume is 25...30 l/s.

4 MAINTENANCE

4.1 Emptying the dust canister

The dust canister's volume is about 14 or 20 litres, depending on the model. Empty the dust canister before the surface of the dust reaches the lower edge of the latches. In home use, the recommended emptying interval is about three months.



1. Unplug the power cord from the socket.
2. Take hold of the dust canister's latches and release the dust canister by opening the latches.
3. Lower the dust canister.
4. Empty the dust canister. Wash the dust canister, if necessary.
5. Clean the dust canister's sealing.
6. Lift the dust canister in place and lock the latches.
7. Plug in the power cord to the socket.
8. Confirm the emptying of the dust canister by pressing the button on the central unit for a short period of time.

4.2 Filter maintenance

The central unit is equipped with a filter that protects the turbine against dust. The filter must be undamaged and in place. The original Allaway filters are available from well-equipped retail outlets and authorised Allaway service dealers.



Note:

- Do not wash the paper filter.
- The pre-installation filter must be washed.
- If your device has a washable filter, wash it with running water or a light shower (max. temperature 30°C).
- Do not tamp or scrub the filter mechanically.
- Do not wash the filter with a pressure washer, in a washing machine, with a hard brush, by beating it or by using chemicals or detergents.
- A damaged filter must not be used in the central unit.



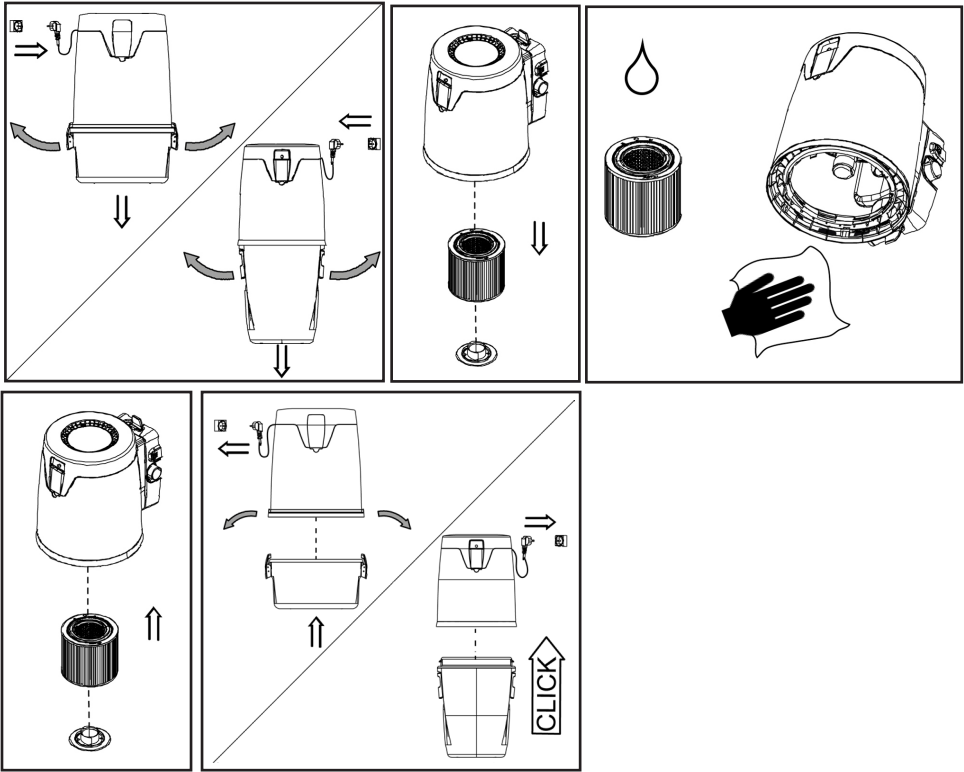
Observe:

- Replace the filter if the device's suction power has decreased or the filter has become damaged.
- The recommended filter replacement frequency is a maximum of 3 years/ 3 full dust canisters.
- When using dust bags, the filter will only be changed when necessary.



Observe:

- The filter installed in the central unit must be dry.
- When washing the filter, the extra water should be removed from the filter by shaking it carefully.
- Allow the filter to dry in room temperature for about 1 to 4 full days. Turn the filter upside down once per every day.



1. Unplug the power cord from the socket.
2. Pull off and empty the dust canister. See *Emptying the dust canister*.
3. Unscrew the filter's fastening nut.
4. Pull out the filter.
5. Clean the filter.
6. Inspect the filter's condition and replace it if necessary.
7. Ensure that there is no dirt inside the filter.
8. Clean the filter chamber.
9. Reinstall the filter.
10. Screw in the filter's fastening nut. Tighten the fastening nut by hand.
11. Clean the dust canister's sealing.
12. Lift the dust canister in place and lock the latches.
13. Plug in the power cord to the socket.
14. Confirm the maintenance of the filter by pressing the button on the central unit for approx. one second until the white background LED of the display will flash to indicate a successful confirmation.

4.3 Zi series filter and dust canister alarm



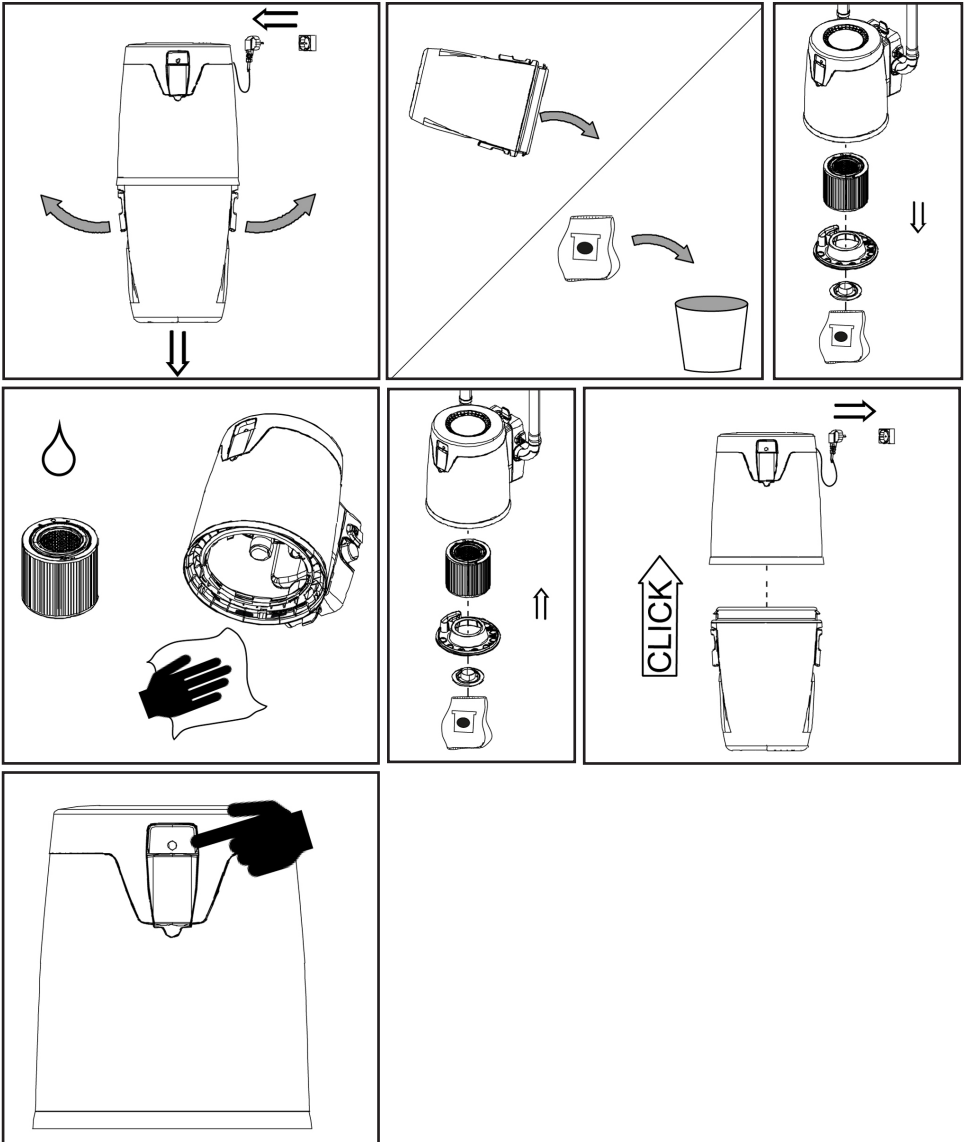
Observe:

- Zi series cleaning equipment displays an exclamation mark if the dust canister is full or if the central unit's filter requires maintenance.



Observe:

- You can check the need for the maintenance of the filter and emptying the dust canister through the Allway application.



1. Empty the dust canister or change the dust bag. See *Emptying the dust canister* or *Changing a dust bag and maintaining the filter, for a device with a dust bag*.
2. Check and, if necessary, maintain the central unit's filter. See *Filter maintenance*.
3. Confirm the maintenance by pushing the sign off button on the central unit.
 - Dust canister: Confirm the emptying of the dust canister by pressing the button on the central unit for a short period of time.
 - Filter: Confirm the maintenance of the filter by pressing the button on the central unit for one second until the white background LED of the display will flash to indicate a successful confirmation.

4.4 Cleaning equipment maintenance



Danger:

- **Risk of injury**

- Warn children about using the device.
- Air speed and underpressure of the suction hose and the nozzles are high.



Note:

- Do not store the cleaning equipment in direct sunlight. Long-term exposure to UV light will degrade the plastic parts, especially the suction hose, and decrease their service life.



Observe:

- Replace the cleaning equipment if necessary. Depending on the amount of use and the floor material, the cleaning equipment will become worn.
- Clean and store the cleaning equipment correctly after use, which will help increase their service life significantly.



Observe:

- When acquiring cleaning equipment, take into account their compatibility with the central unit's starting system.

After vacuuming, carry out the following actions:

1. Remove the telescopic arm and nozzles from the handle.
2. Pull in the brush part of the floor/carpet nozzle.
3. Store the components separately.
4. Put the hose in the hose bracket.

5 POWER CORD AND SAFETY DEVICES

5.1 Power cord



Danger:

- **Risk of electric shock.**
- Check regularly that the power cord and socket are not damaged.
- Do not use the device, if the power cord is damaged. A damaged power cord must be replaced with a similar power cord by a professional.

If the central unit's power cord has been damaged, it must be replaced with a manufacturer's special power cord of the same model by an authorised Allaway service dealer.

5.2 Overcurrent protection

The central unit has been equipped with overcurrent protection, which will switch off the device in case of electrical overload or damage. The overcurrent protection is not reversible and replacing it requires the proper electrical installation qualifications. When replacing the overcurrent protection, the reason it was triggered as well as other possible damage must be reviewed and removed.

5.3 Overheating protection



Note:

- If the reason why the overheating protection was triggered is not removed and the use of the device continues, damage may occur to the device.



Observe:

There are no parts that can be maintained by the user inside the central unit's motor casing. We recommend that the maintenance/replacement need of the electric turbine and other parts inside the motor casing is assessed by an authorised Allaway service dealer after about 600 hours of use. With an average weekly use of about 1.5 hours, this equals to approximately 8 years.

The turbine's overheating protection is located inside the device. This will stop the device if the turbine overheats. Wait until the turbine has cooled down and the overheating protection has recovered (about 10–15 minutes). Review the reason for triggering the overheat protection and remove it (e.g. full dust canister, blocked filter or blocked piping, wall inlet, air exhaust pipe, cleaning equipment, blow-out grating). If the reason for the disruption is not removed and the use of the device continues, damage may occur to the device.

6 PRACTICAL TIPS

6.1 If the central unit does not start, check

- 230 V current supply to the socket
- whether the central unit can be started from other wall inlets
- whether the central unit can be started from the cleaning equipment
- the connection of the low-voltage wiring to the central unit
- for suction hoses equipped with handle switch; whether the starter circuit of the pipe is undamaged. If the central unit starts when you connect the contact pegs of the wall inlet with metal thread, for example, but not with the suction hose's handle-mounted start switch, the suction hose or its switch is damaged.
- if the central unit can be started from the low-voltage lead, but not from the wall inlet, check that the low-voltage wires have been connected correctly to the leads of both the central unit and the wall inlet and that the wires are intact.
- if the overheating protection inside the device has switched off the device due to the turbine overheating. Wait for about 15 minutes until the turbine has cooled down enough. Check that the filter is not blocked, the dust canister or dust bag are not full and that there are no blockages in the exhaust pipe or the cleaning equipment.
- if the overcurrent protection of the electric motor has been triggered. In such situations, the starting relay in the central unit will click when you try to start the central unit, but the motor will not start. Contact an authorised Allway service dealer.

6.2 If the suction is weaker, check

- that other wall inlets are closed and have no leaks
- that there are no objects that stop the air flow in the wall inlet
- that the suction hose is undamaged and unblocked
- that the dust canister is in place and its sealing is undamaged
- that the dust canister has been emptied or the possible dust bag has been changed
- that the fine filter has been replaced/maintained
- the piping is airtight (see *Piping system's airtightness check*).

6.3 If the suction hose becomes damaged



Observe:

- The suction hose is a wearing part, so replace it with a new one regularly. Hoses are available through retailers.
1. If the suction hose has a wall inlet start or a radio start, cut off the damaged section and connect the suction hoses with a connector sleeve (accessory).
 2. If the suction hose breaks near the suction hose sleeve or the handle, twist the suction hose sleeve or handle to remove it, cut off the damaged part and twist the suction hose sleeve or handle back into place. The parts are connected to the suction hose with a left-handed thread.

In suction hose equipped with handle starts, the leads of the starting circuit have been installed in the suction hose during manufacture. This type of suction hose cannot be cut shorter. If the suction hose is faulty, contact an authorised Allaway service dealer. The suction hose's length can be increased with an on/off extension hose (accessory).

6.4 If the suction piping or exhaust pipe become blocked

1. Empty the dust canister and clean or replace the filter. See *Emptying the dust canister* and *Filter maintenance*.
2. Locate the blockage by, for example, sucking pieces of paper towel through the wall inlets. If you find the piece of paper inside the dust canister, the airway in question is open.
3. Once you have located the blockage, remove the central unit and check that there is no blockage inside the central unit's couplings.
4. Connect the coupling on the suction side of the central unit to the wall inlet of the blocked branch with a suction hose sleeve, or, if the blockage is inside the main pipe, to the wall inlet nearest to the blockage.
 - Start the central unit from the low-voltage lead with a metal thread.
 - Go to the central unit's actual place of installation and shut and open the wall inlet opening with your palm. This subjects the blockage to underpressure impacts.
 - If the blockage does not open within 10 to 15 seconds, remove the central unit from the wall inlet to allow the turbine to ventilate and to prevent it from overheating.
 - Repeat the attempt after about a minute.
1. If you cannot loosen the blockage with suction but have located where it is, you should check if you can easily gain access to the piping without dismantling any structures or with reasonable dismantling. If you can access the piping system, remove the blockage by opening the pipe connection.
2. Never try to open a blockage using excess pressure, i.e. compressed air. Excess pressure will open the pipe connections.
3. You can also try to open the blockage carefully by inserting an electrician's extension spring into the piping system. Do not push the connections open.
4. If you are unable to remove the blockage with the instructions provided above, please contact an authorised Allaway service dealer.

6.5 If you have Bluetooth pairing problem or if the data in Allaway application cannot no be updated

1. Note:
 - a. Importing new information from the central unit to the application can sometimes take tens of seconds.
 - b. Temporary connectivity problems can be caused by the mobile device's Bluetooth connection.
 - c. If the crossed out Bluetooth symbol is flashing, the device's Bluetooth connection is disabled.
 - d. The clock of the central unit is synchronized by mobile phone clock. Right calendar information in App requires that that you have active Bluetooth connection to the device. There may be shifts in calendar if you open the app outside the bluetooth range.
2. Make sure that your mobile device supports Bluetooth BLE connections.
3. Make sure that Bluetooth and location is enabled on your mobile device.
4. Make sure that the device is within the range of the Bluetooth signal. See paragraph 3.5.1.
5. Restart the application and test its functionality.
6. Restart the phone (the Bluetooth connectivity problem may be caused by the mobile device)
7. Delete the application and download it again from App Store or Google Play. Start the application and test its functionality.
8. If you have still Bluetooth connection problem, test the operation by another device. (The device can have device specific Bluetooth compatibility problem).

6.6 Fault finding: led indication of the push button on central unit

- LEDs are flashing as follows: lower, left and right, upper LED: overheating protection inside the device has switched off the device due to the turbine overheating. Wait for about 15 minutes until the turbine has cooled down enough. Check that the filter is not blocked, the dust canister or dust bag are not full and that there are no blockages in the exhaust pipe or the cleaning equipment.
- LEDs are flashing rapidly around the button: wall inlet either on the device or on the wall is open and simultaneous power failure. Close the wall inlet

6.7 Machine information for maintenance

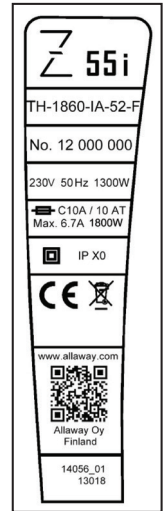


Note:

- Always transport the device vertically, with right side up.
- Do not drop the device.
- Do not expose the device to impacts.

Before contacting the authorised Allaway service dealer, write down the type and manufacture number of your central unit from the nameplate located on the outer surface of the central unit, on the side of of the turbine casing. Report this information to the service dealer.

By scanning the QR code, the model, technical type and serial number of your central unit will be sent to your smartphone or tablet device.



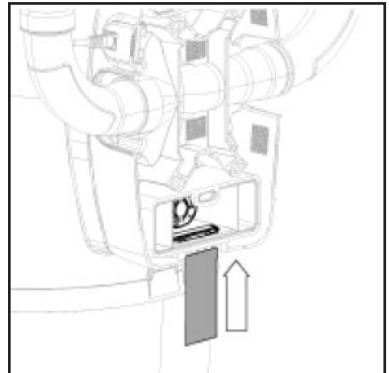
7 PIPING SYSTEM'S AIRTIGHTNESS CHECK



Note:

- Do not use the system more than 20 seconds at a time when it is closed. If the configuration is fully airtight, the turbine does not have enough air and it will become overheated and possibly damaged.
- Do not carry out the airtightness check with excess pressure.

1. Connect the cleaning equipment series to the wall inlet.
2. Close all other wall inlets.
3. Start the system.
4. Stop the airflow from the cleaning equipment series by, for example, sealing the end of the telescopic arm with a piece of cardboard.
5. Cover the bypass valve with e.g. a piece of cardboard for the duration of the test.
6. Start the central unit from the low-voltage lead with a metal thread.
7. Keep the central unit on while the bypass valve is closed for a maximum of 20 seconds. If air comes out of the exhaust pipe within 10 seconds of starting the unit, there is a leak in the piping system.
8. Locate and fix the leak.



8 ACCESSORIES

8.1 Preseparator



Note:

Sticky substances and shards of glass may damage the piping. It is not allowed to vacuum liquids or other substances other than regular household dust without a proper Allaway preseparator.

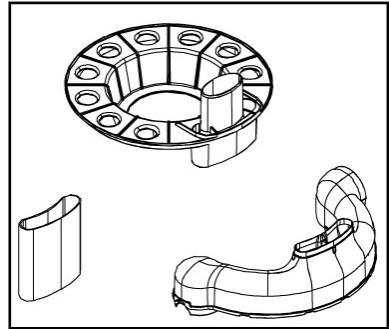
Preseparator EE-20, steel Product number 80603 / HPAC code 6901215

Preseparator EE-20, plastic. Product number 80604 / HPAC code 6901216

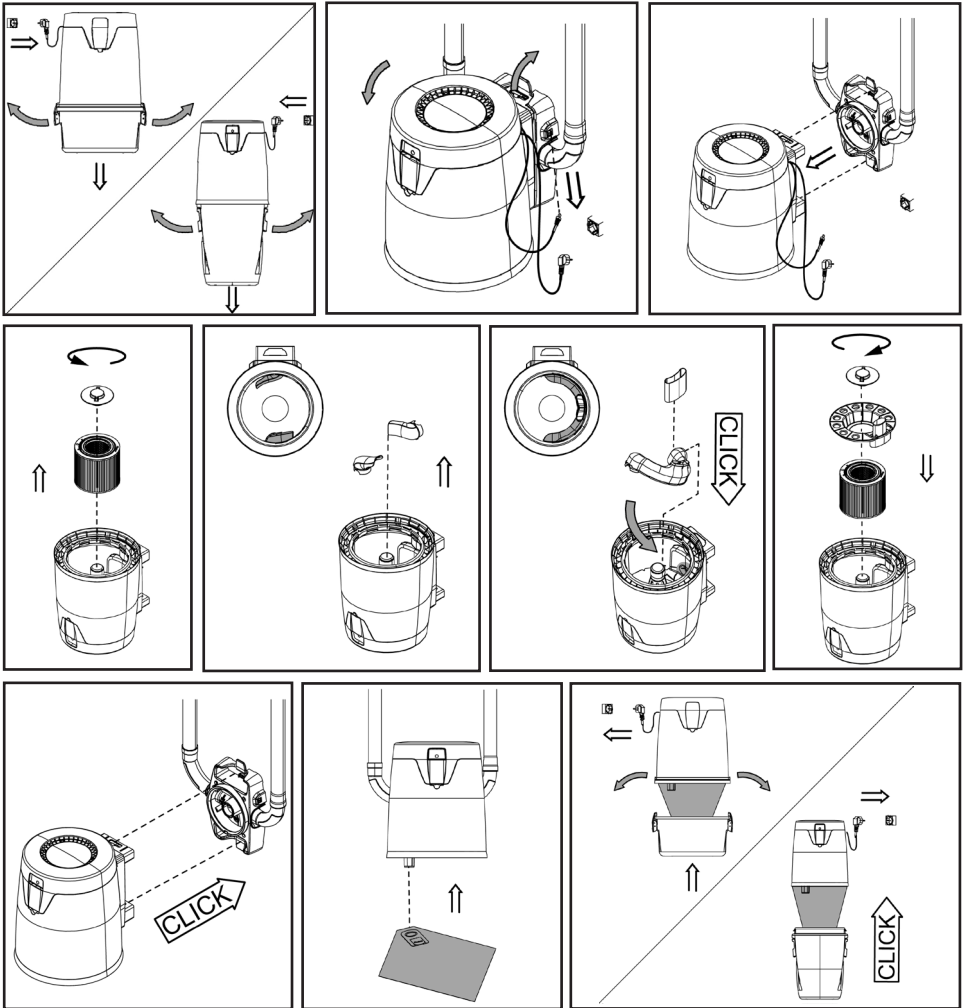
The preseparator is meant for the vacuuming of water, sand and coarse waste. A preseparator equipped with a dust bag can be used to vacuum cool ashes and fine, dry dust.

8.2 Dust bag installation kit

The central unit may be used with a dust bag. The dust bag installation kit is available at well-stocked outlets. It is not mandatory to use a dust bag, but we recommend it. More detailed installation instructions can be found in the package for the dust bag installation kit.

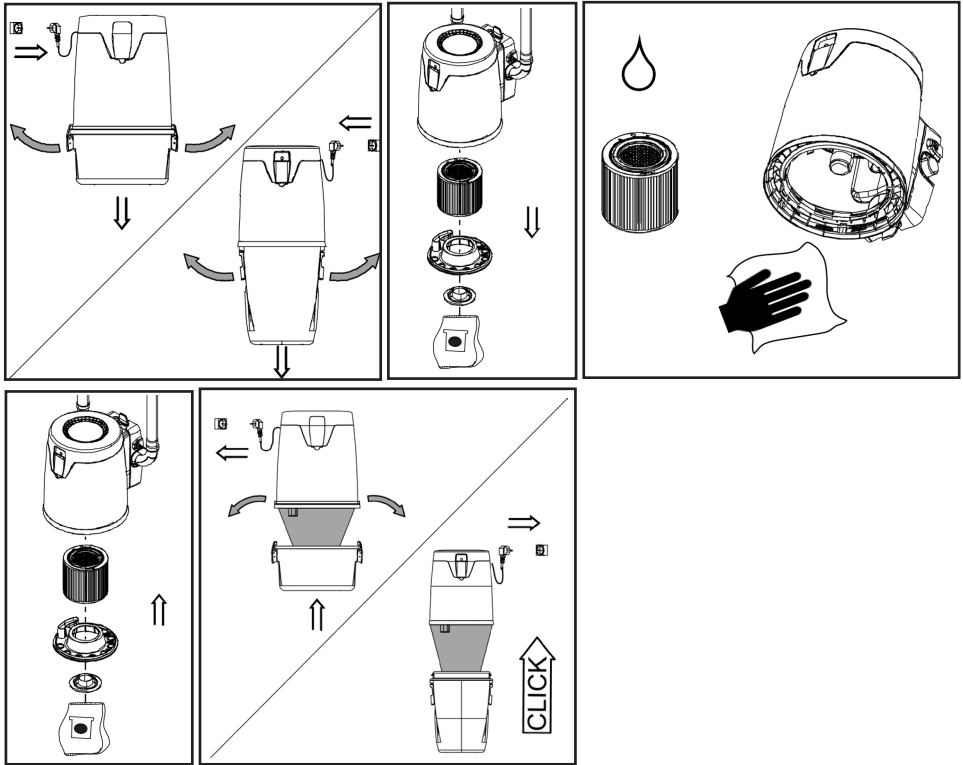


8.2.1 Installing a dust bag installation kit



1. Unplug the power cord from the socket.
2. Pull off and empty the dust canister. See *Emptying the dust canister*.
3. Remove the central unit from the wall bracket.
4. Turn the central unit upside down.
5. Unscrew the filter's fastening nut.
6. Pull out the filter.
7. Pull off the air controllers.
8. Clean the filter. See Filter maintenance.
9. Install the dust bag's suction channel in place.
10. Install the connection pipe to the suction channel.
11. Install the filter.
12. Install the dust bag's support in place.
13. Screw in the filter's fastening nut. Tighten the fastening nut by hand.
14. Install the dust bag.
15. Install the central unit to the wall bracket.
16. Lift the dust canister in place and lock the latches.
17. Plug in the power cord to the socket.

8.3 Changing a dust bag and maintaining the filter, for a device with a dust bag



1. Unplug the power cord from the socket.
2. Remove the dust canister. See Emptying the dust canister.
3. Remove the dust bag.
4. Unscrew the filter's fastening nut.
5. Remove the dust bag support.
6. Pull out the filter.
7. Clean the filter. See Filter maintenance.
8. Install the filter.
9. Install the dust bag's support in place.
10. Screw in the filter's fastening nut. Tighten the fastening nut by hand.
11. Install the new dust bag.
12. Lift the dust canister in place and lock the latches.
13. Plug in the power cord to the socket.

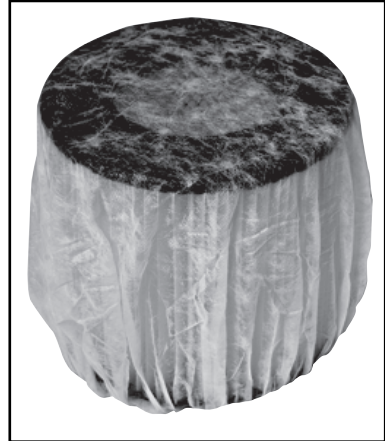
8.4 Central unit's filter cover



Note:

- Do not use the filter cover with central units equipped with dust bags.

Using a filter cover makes it easier to clean the fine filter and increases the maintenance interval and service life of the fine filter. It is not mandatory to use the cover but we recommend it. Do not use a filter cover in central units equipped with a dust bag. The covers can be acquired from well-stocked retailers (5 pcs/pack).



9 EU DECLARATION OF CONFORMITY

Allaway Oy, Kangasvuorentie 32, 40340 Jyväskylä, Finland, declares that The central vacuum cleaners TH-1350-IA-..., TH-1560-IA-..., TH-1850-IA-..., has been manufactured according to the applicable harmonised standards, and that they comply with the essential requirements in the Low Voltage Directive (2014/35/EU), the Electromagnetic Compatibility Directive (2014/30/EU) and the Directive on the Restriction of the Use of Certain Hazardous Substances in Electronic and Electrical Equipment (2011/65/EU). The Declaration of Conformity can be read in full online at www.allaway.fi.

10 MAINTENANCE SUPPORT

A list of authorised Allaway service dealers can be found on our website at www.allaway.fi.

11 WE VALUE YOUR OPINION

We are glad to receive feedback. Please send any questions you may have via e-mail: info@allaway.fi.

MAINTENANCE LOG

Type _____ No. _____ Date of implementation _____

Container emptied or bag changed	Filter cleaned	Filter changed	Container emptied or bag changed	Filter cleaned	Filter changed

CUSTOMER SERVICE

Austria	Provit Handels- u.Engineering GmbH, Laaberbachstrasse 18, A-4600 Wels phone: 43-7242-55-677, info@provit.at, www.provit.at
China	Sichuan Lanbeisi Science and Technology Co, Ltd., Room 1702, unit 3, Building 22, No.177, Middle Section of Tianfu Avenue, High-tech Zone, Chengdu, P.R.C, phone: 8+86 (0)28 86665570, Fax: +86 (0)28 86669028, lanbeisikeji1@126.com, www.lbsair.com/en
Cyprus	Hydrotherm Co Ltd (Epiphaniou group), 77A Strovoulou Avenue, 2018 Nicosia www.epiphaniou.com, phone: +35722793371, +357 22447950, fax +357 22431534 e-mail: constantinos.vassiliou@epiphaniou.com
Finland	Allaway Oy, PL 3, 40351 Jyväskylä phone: +358 (0)20 7210 600, info@allaway.fi, www.allaway.com
Germany	Vallox GmbH, Von-Eichendorff-Str. 59a, 86911 Dießen phone: (0 88 07) 94 66-0, fax (0 88 07) 94 66-99, info@vallox.de, www.vallox.de
Hungary	CKP-Mémnök Kft., Borókás u. 17., H-1213 Budapest phone: 36-1427-0251 info@ckpmernok.hu, www.allaway.hu
Israel	MizugPlus, 6 Hmelacha st, 4809110 Rosh Haayin, Israel phone: +97239080645, airplus@zahav.net.il, www.mizugplus.co.il
Italy	CESARO Tecnologie s.n.c., Viale Luzzatti, 61, 31100 Treviso, Italy phone: +39 (0)422 430750, fax: +39 (0)422 431864, www.cesaro.it
Kazakhstan	EcoSystems KZ, Kazybek-bi 65 office 205, 050000 Kazakhstan sales@thomas.com.kz, allawaykz@gmail.com, www.allaway.kz
Latvia	Seši Spārni Sia (Six Wings Ltd.), Viskaļu iela 22, Rīga, LV-1021, phone: 371-26553865, sesisparni@gmail.com, www.allaway.lv
Lithuania	UAB REC BalticVent, Serbentu g. 9a, LT-77116 Šiauliai, Lithuania. e-mail: info@rec-balticvent.lt, www.rec-balticvent.lt
Norway	Ener-Produkt As, Vaskebergveien 1, 3800 Bø i Telemark, Norway phone: 47 35 06 11 00, ener@ener.no, www.allaway.no
The Netherlands	Hugro Technics vof, Lage Brink 93, NL-07317 BD Apeldoorn phone: 31-55-521 4402, info@allaway.nl, www.allaway.nl
Poland	ECO Comfort, ul. Drogowców 3, 32-400 Myślenice, tel/fax: 12 274 22 06 biuro@ecocomfort.pl, http://allawaypolska.pl/
Russia	Nou Hau, Torzkovskaja ul. D.20 197343 St. Petersburg, Санкт-Петербург, Russia phone: 78-124-933-700, allaway@allaway.su, www.allaway.su
Spain	The Domotic House, La Casa Domotica SL, Ctra Villalba 15, 28411 Moralzarzal (Madrid) phone: +34-902-537-028, sfdiaz@allaway.es, www.allaway.es
Sweden	CDS centraldammsugare AB, Luffarbacken 5, 184 39 Åkersberga, Sweden phone: 46-8-594-106-00, info@allaway.ru, www.allaway.ru
Switzerland	Riesen Reinlufttechnik, Allmeindstrasse 23, CH-8716 Schmerikon phone: 41-55-283 29 29, info@allaway.ch, www.allaway.ch
Turkey	Evkon Elektrik Elektronik San Ve Tic. Ltd. Şti. Adres: Mustafa Kemal Mah. 2146. Sk. No: 4-8, Çankaya Ankara Gsm: 0 532 644 74 78, 0 530 951 15 44, Tel: 0 312 219 66 68 info@evkonotomasyon.com, www.allawayturkey.com
Ukrain	OOO "Dew Point", pr. Svobody, 17, of. 145, 04215, Kiev, Ukrain, phone: +380 99 6290424, allaway.ua@gmail.com, www.allaway.ua

JYVÄSKYLÄ, FINLAND
www.allaway.com

